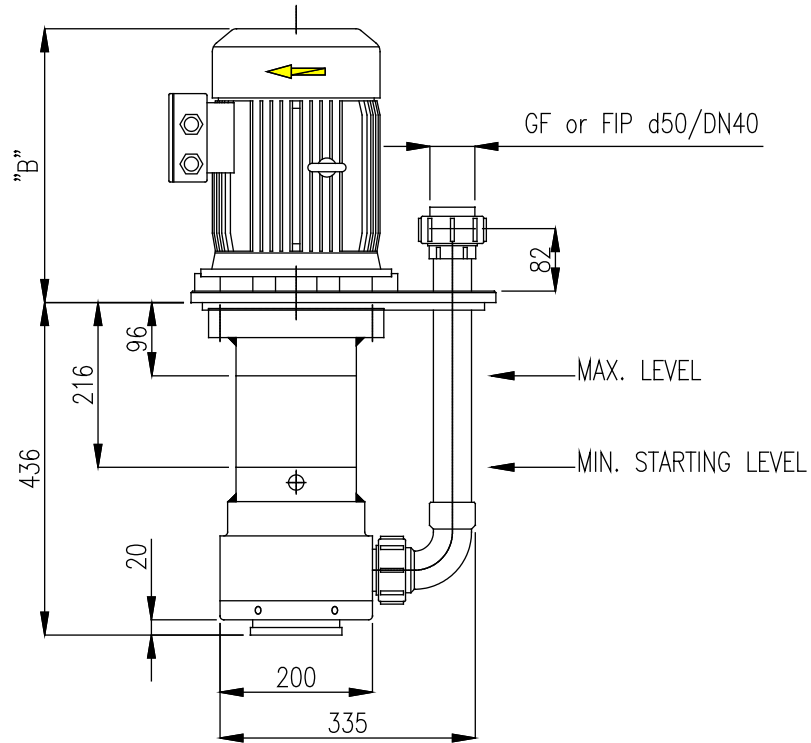
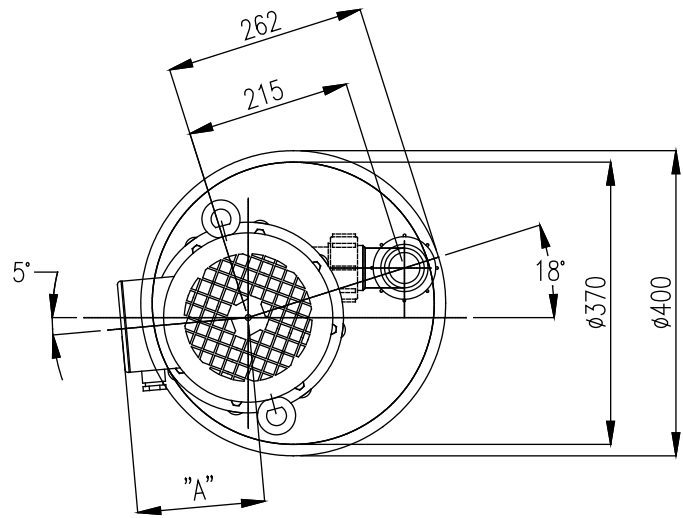
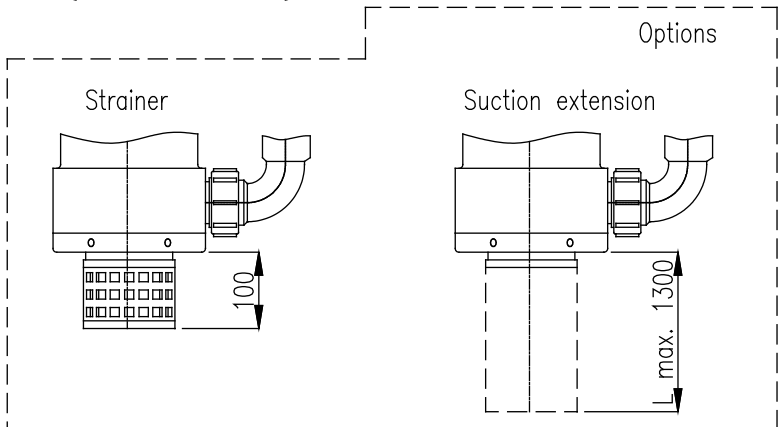


THIS INFORMATION IS CONFIDENTIAL AND IS NOT TO BE DISCLOSED WITHOUT WRITTEN AUTHORIZATION FROM HENDOR POMPEN B.V. BLADEL.



	"A"	"B"
D201	167	359
D202	199	404
D203	210	440



material PP		drw. H. Goorman		scale 1 : 10		www.hendor.com			
mat. size All sizes in mm		date 17-05-1999		Man 3.2		Overall tolerance ± 1 mm		Angle tolerances $\Delta \pm 1^\circ$	
		chk.				VERTICAL PUMP D201...D203-PP		size A4	
HG	06-12-2002	1							
Chk.	Date	No.				File no. 0-001221			